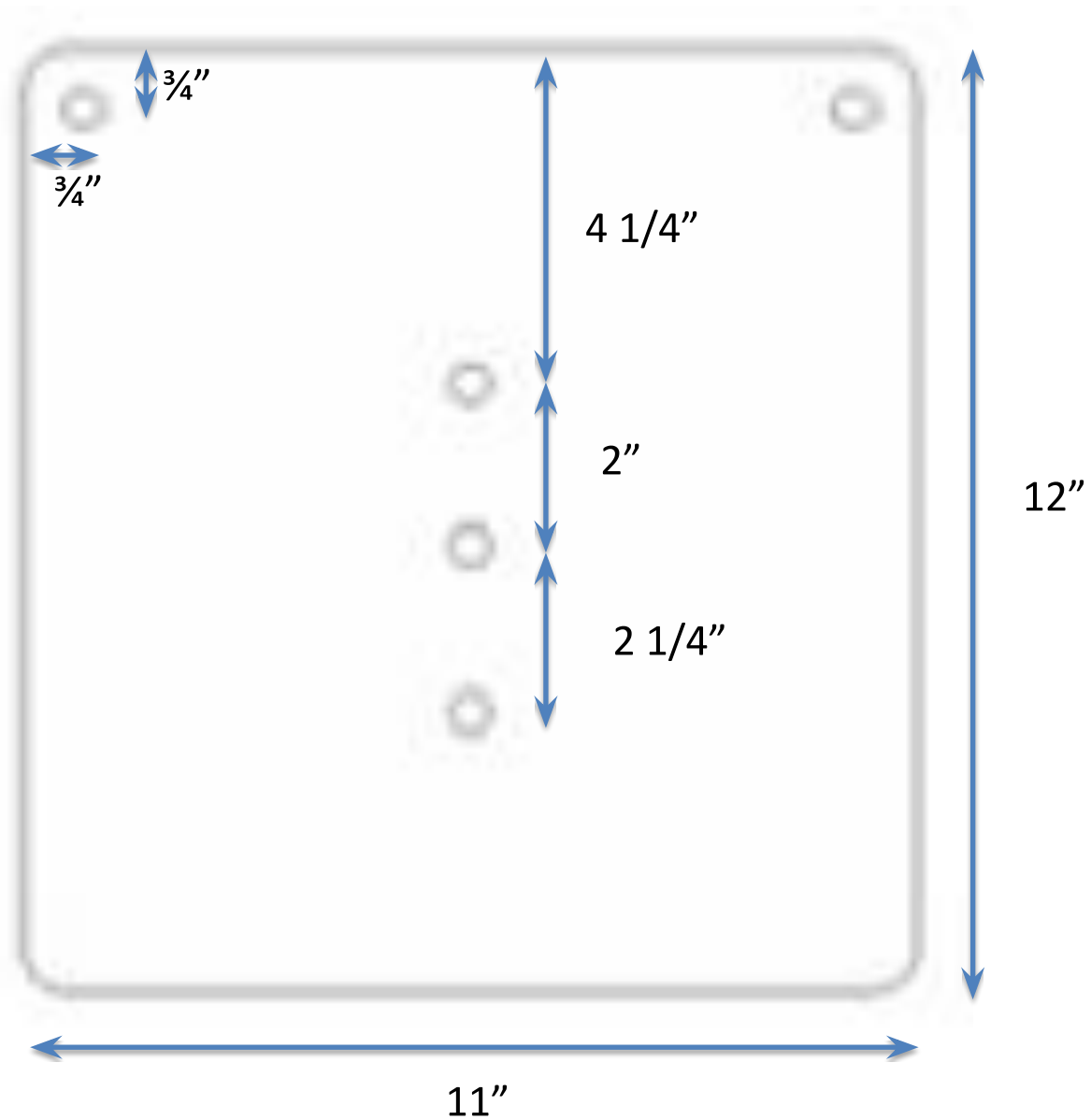


## Seat Weight

Make from 1/4, 3/8,  
or 1/2" Steel

All Bolt Holes 1/2" dia

Round Corners with  
1/2" Radius

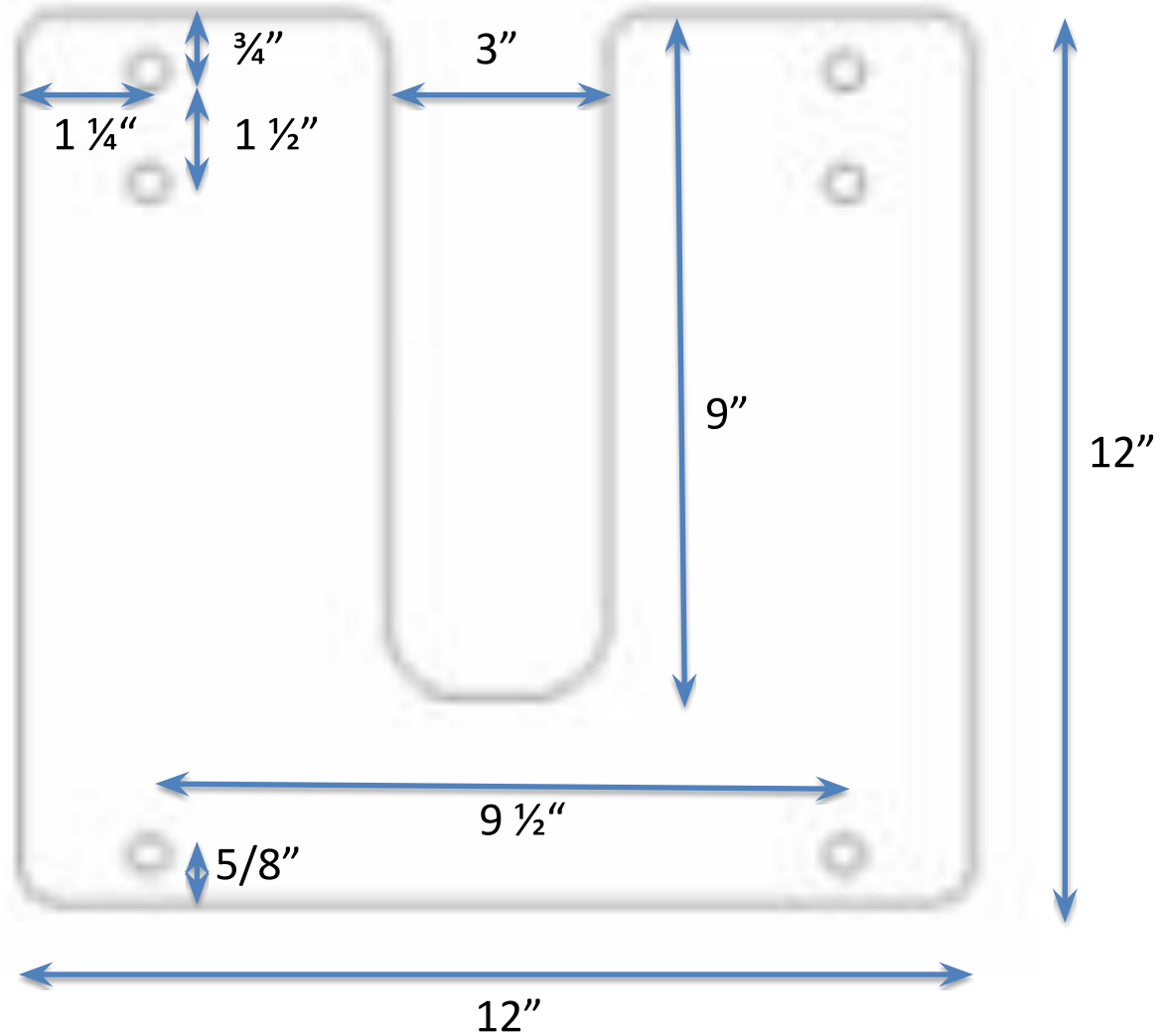


## U Weight

Make from 1/4, 3/8,  
or 1/2" Steel

All Bolt Holes 1/2" dia

Round Corners with  
1/2" Radius



SS Front and SS  
or Stock Rear  
Weight

Make from 1/4, 3/8,  
or 1/2" Steel

All Bolt Holes 1/2" dia

Round Corners with  
1/2" Radius

